

PROFILE:

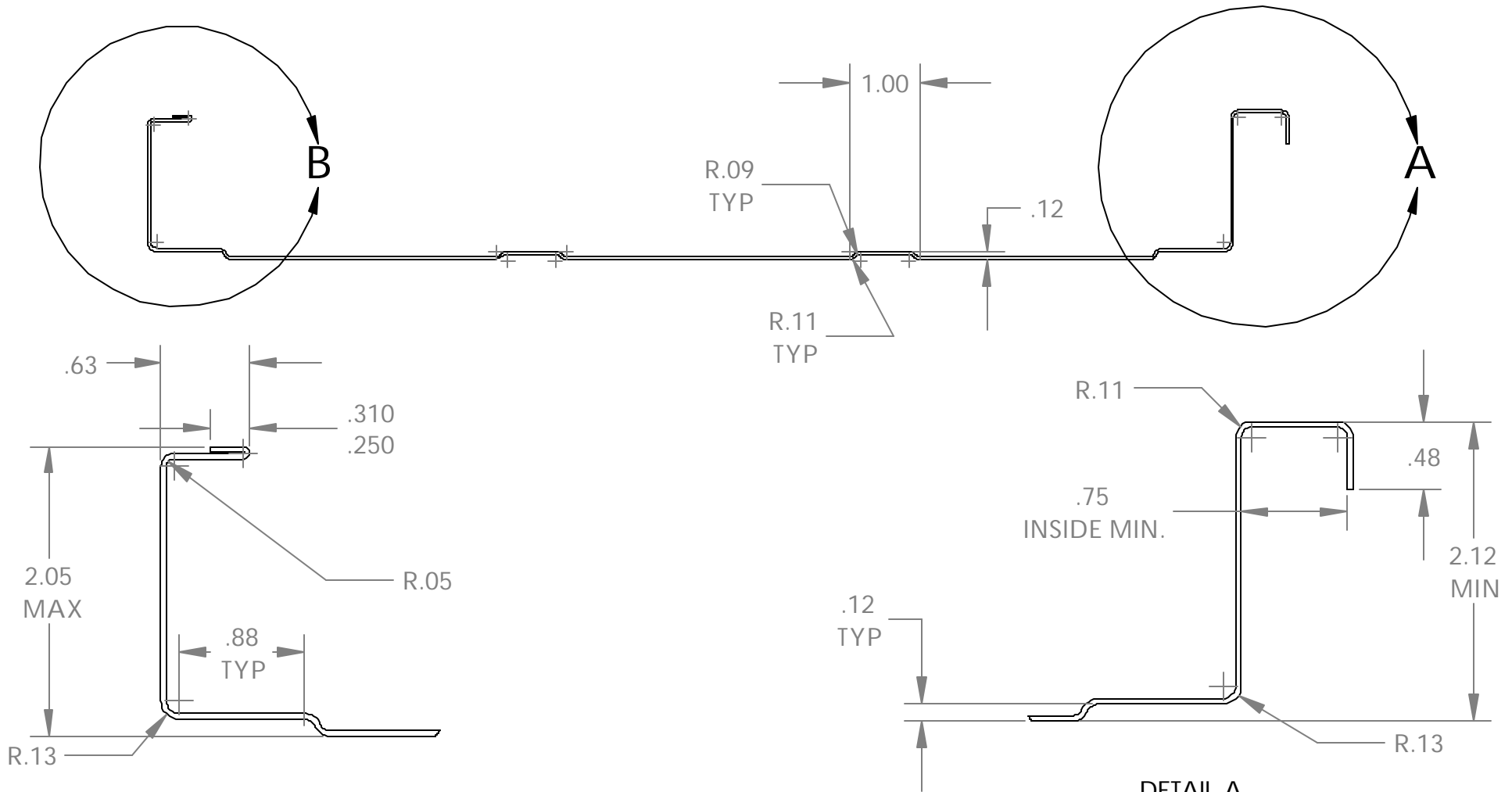
**2" FLANGE**

MACHINE MODEL:

**KR-24**

*MATERIAL SPECIFICATIONS*

STRIP WIDTH	16.00 to 30.00-in		
BASE MATERIAL	STEEL	ALUMINUM	COPPER
THICKNESS	.0217to .0336-in	.0217 to .0336-in	16 to 20-oz
MAX TENSILE	52-ksi	33-ksi	33-ksi
MAX YEILD	40-ksi	28-ksi	28-ksi
COATINGS	Paint/Galv	Paint	N/A



DETAIL B  
SCALE 1 : 1

DETAIL A  
SCALE 1 : 1

MATERIAL SPECIFICATIONS

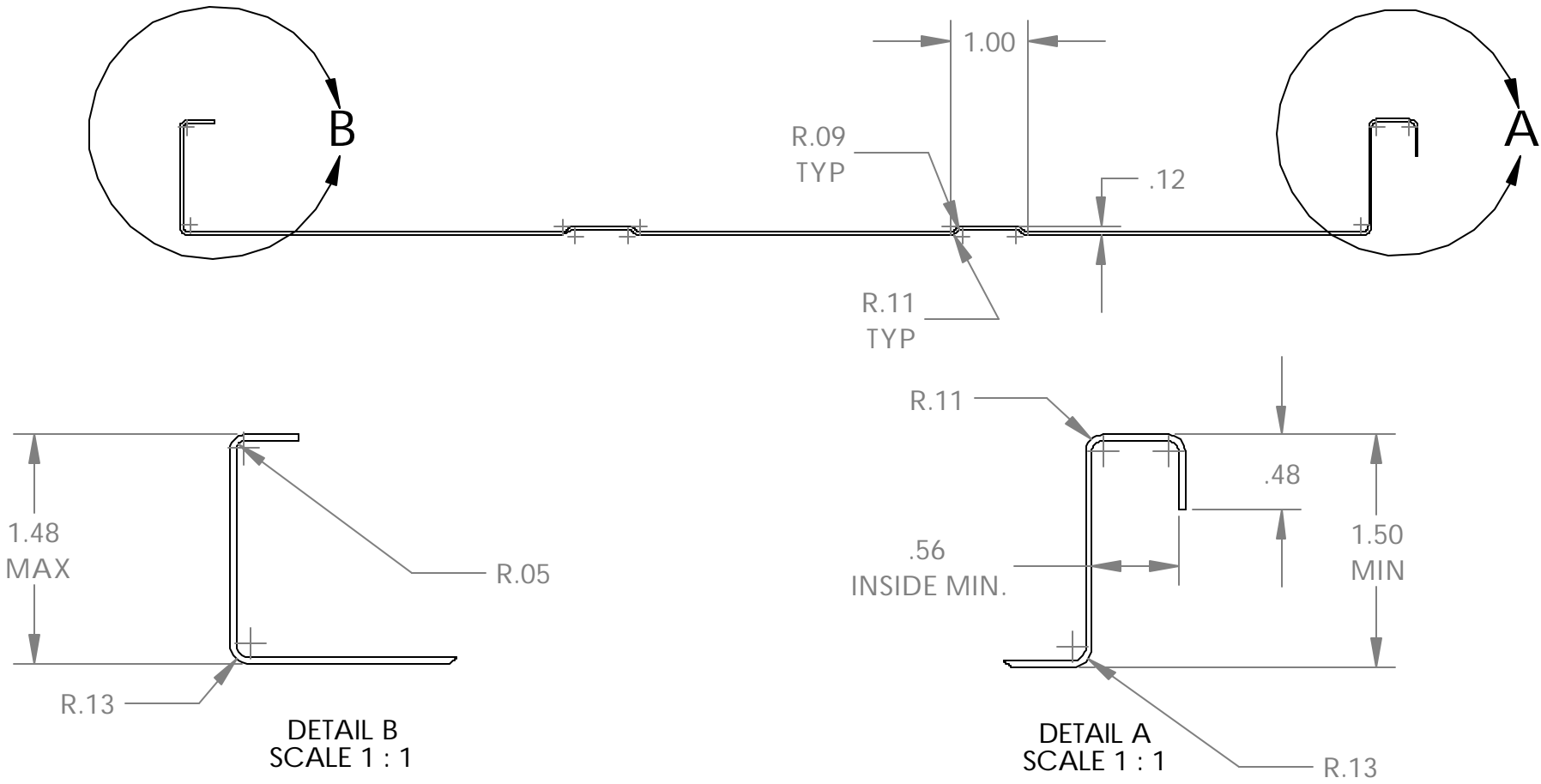
STRIP WIDTH	16.00 to 30.00-in		
BASE MATERIAL	STEEL	ALUMINUM	COPPER
THICKNESS	.0217to .0336-in	.0217 to .0336-in	16 to 20-oz
MAX TENSILE	52-ksi	33-ksi	33-ksi
MAX YEILD	40-ksi	28-ksi	28-ksi
COATINGS	Paint/Galv	Paint	N/A

PROFILE:

# 2" FLANGE W/ OFFSET

MACHINE MODEL:

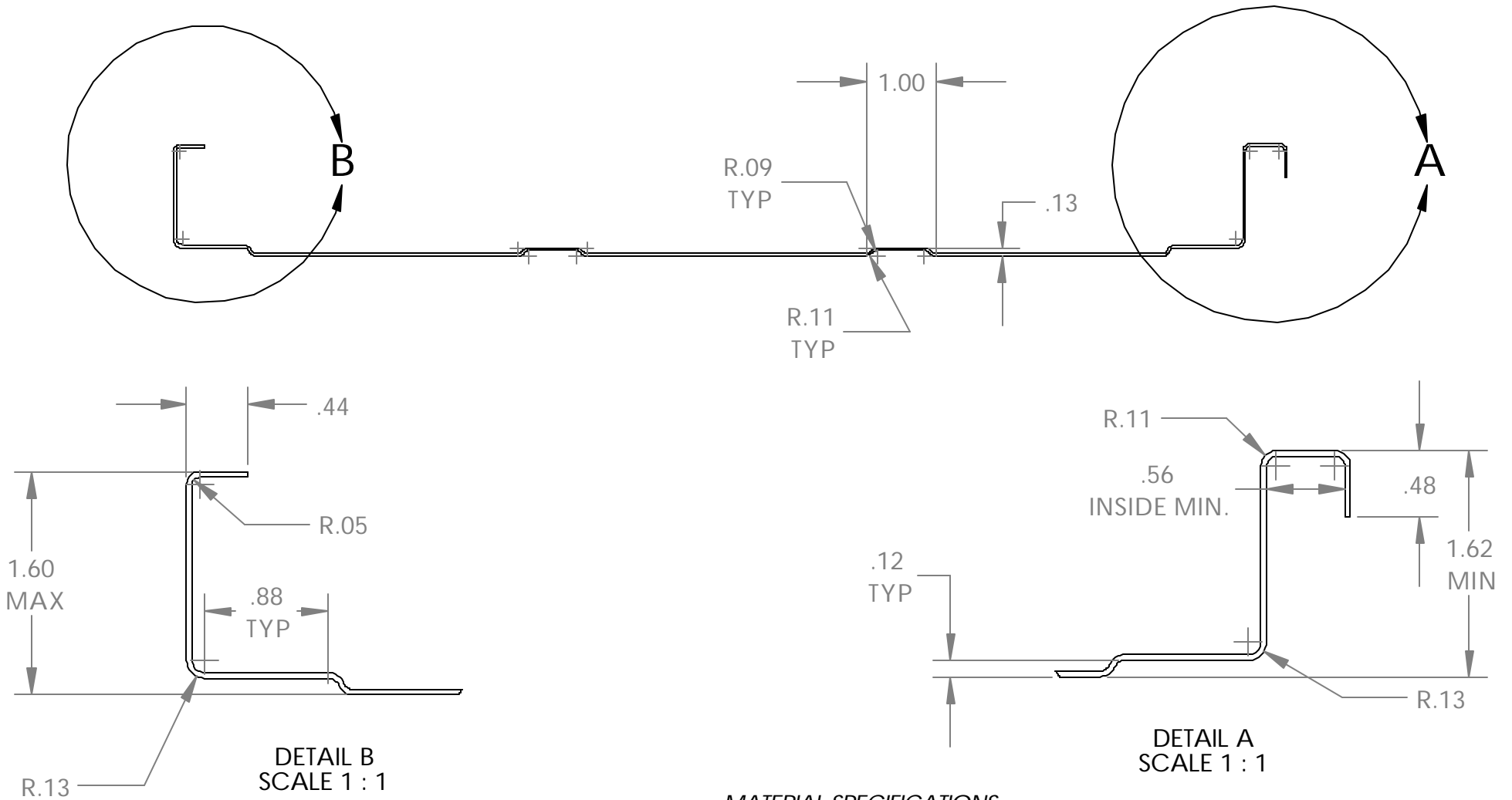
## KR-24



PROFILE:  
**1.5" FLANGE**  
 MACHINE MODEL:  
**KR-24**

*MATERIAL SPECIFICATIONS*

STRIP WIDTH	16.00 to 30.00-in		
BASE MATERIAL	STEEL	ALUMINUM	COPPER
THICKNESS	.0217to .0336-in	.0217 to .0336-in	16 to 20-oz
MAX TENSILE	52-ksi	33-ksi	33-ksi
MAX YEILD	40-ksi	28-ksi	28-ksi
COATINGS	Paint/Galv	Paint	N/A



PROFILE:  
**1.5" FLANGE W/ OFFSET**  
 MACHINE MODEL:  
**KR-24**

*MATERIAL SPECIFICATIONS*

STRIP WIDTH	16.00 to 30.00-in		
BASE MATERIAL	STEEL	ALUMINUM	COPPER
THICKNESS	.0217to .0336-in	.0217 to .0336-in	16 to 20-oz
MAX TENSILE	52-ksi	33-ksi	33-ksi
MAX YEILD	40-ksi	28-ksi	28-ksi
COATINGS	Paint/Galv	Paint	N/A